

Personal Protective equipment (PPE)



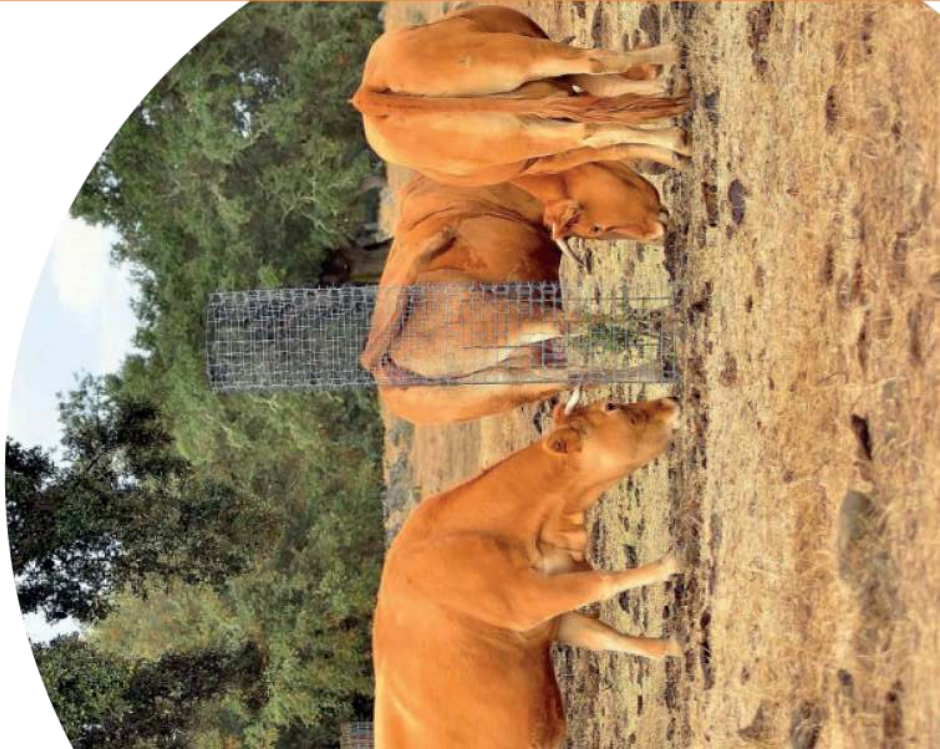
Safety Glasses



Gloves

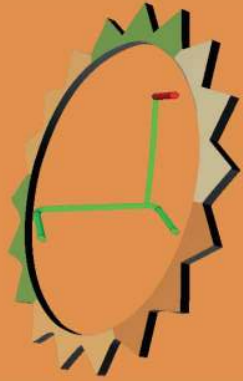


Anti-Perforation
safety boots



TREE GUARDS LTD

cactus



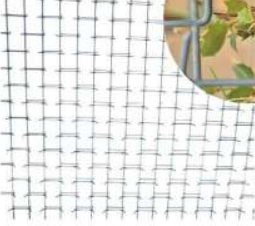



Cactus Tree Guards Ltd

Sleestonhow,
Kirkby Thore,
Cumbria CA10 1XL


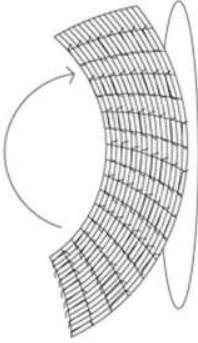
Tel: 07557 334028
Email: tim@cactustreeguards.co.uk

Assembly and installation manual for Cactus Tree Guards

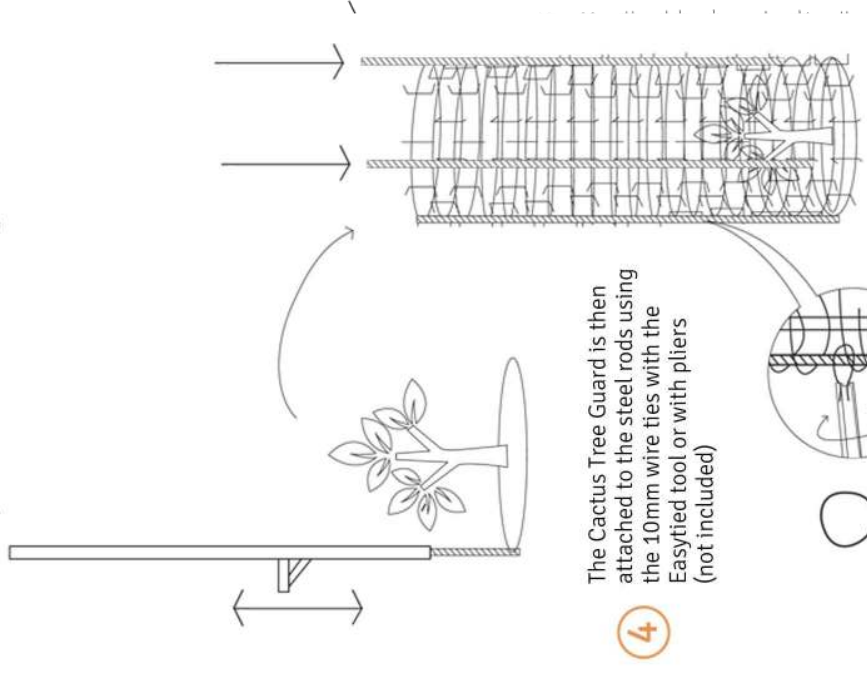
Materials:


- X1** Cactus Tree Guard 
- X3** 10 mm width, 1.5 m long steel rods (not included) 
- X5** 6mm wire ties (not included) 
- X6** 10mm wire ties (not included) 

Cactus Tree Guard assembly steps

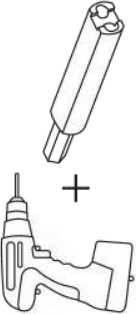
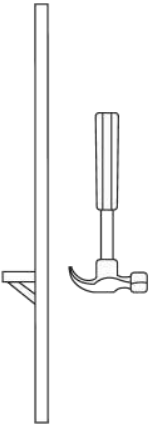

1 Bend the Cactus Tree Guard with:
a The Cactus Tree Guard former tool 
b Or on the ground 

3 Then install three 1.5m x 10mm diameter steel re-bars using the re-bar knocker (not included), spacing them correctly using a ring template so that they are inside the guard. Alternatively they can be placed on the outside of the guard.



4 The Cactus Tree Guard is then attached to the steel rods using the 10mm wire ties with the Easytied tool or with pliers (not included) 

Auxiliary tools (not included)

- Electric screwdriver with Easytied tool or pliers 
- Drive Rod tool or a hammer 
- Cactus Tree Guard former tool 

2 Once formed, attach the Cactus Tree Guard with the 6mm wire ties using either the Easytied tool or pliers (not included) 